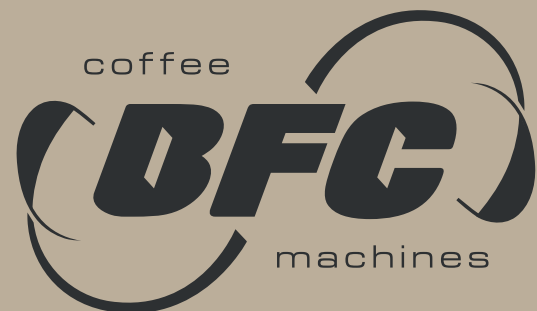


EXPERTA

COFFEE ESPRESSO FOR HOME



I nostri canali social

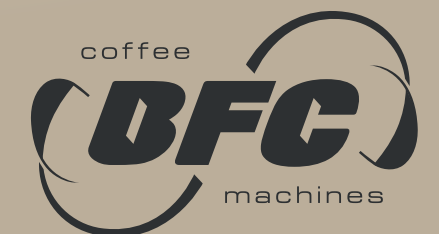


BFCcoffeemachinesofficial
@bfccoffeemachines_official

BFC srl

Via Martiri Delle Foibe, 15
31015 Scomigo di Conegliano - TV - IT
T. +39 0438 394979
F. +39 0438 394587
M. info@bfcsrl.it
W. www.bfcsrl.it

Macchina per caffè espresso
Espresso coffee machine



A detailed close-up photograph of a professional espresso machine's boiler and control panel. The machine is made of highly polished stainless steel, reflecting light. The control panel at the top features several buttons and indicators: a green circular light, a red circular light, and a pressure gauge with a needle and scale. Below the panel, the boiler is visible, with various pipes, valves, and a black handle. The overall aesthetic is clean, industrial, and precise.

EXPERTA
COFFEE ESPRESSO FOR HOME

Macchine per caffè espresso con caldaia in rame a circuito termosifonico costruite completamente in acciaio. La combinazione solo di materiali pregiati che realizza l'arte di fare e gustare la qualità straordinaria del tuo caffè.

Espresso coffee machines with copper boiler and thermosiphon circuit made entirely in steel. The combination of superior materials is behind the art of making and tasting the extraordinary quality of your coffee.

Machines à café expresso munies de chaudière en cuivre avec circulation à thermosiphon, entièrement construites en acier. Seule la combinaison de matériaux de haute qualité est en mesure de garantir l'art de préparer et déguster la qualité extraordinaire de votre café.

Máquinas de café expreso con caldera de cobre con circuito termosifónico, enteramente fabricadas en acero. La combinación sólo de materiales finos que realiza el arte de preparar la calidad extraordinaria de su café y saborearla.

EXPERTA

COFFEE ESPRESSO FOR HOME



DETTAGLI TECNICI

- Serbatoio: 3 Lt.
- Caldaia in rame a circuito termosifonico: 1,3Lt.
- Pompa a vibrazione
- Peso: 18 Kg

TECHNICAL DATA

- Tank: US G AL 0,8 - 3 L t.
- Copper inner boiler continuous heat circulation: US GAL 0,28 - 1,3 L t.
- Vibration pump
- Weight: 39,68 lbs - 18 Kg

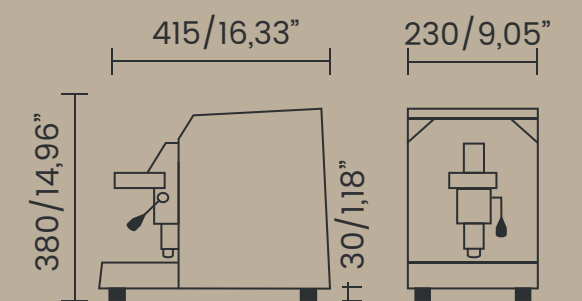
DONNÉES TECHNIQUES

- Reservoir: 3 L t.
- Chaudière en cuivre, circulation par thermosiphon: 1,3 Lt.
- Pompe a vibration
- Poids: 18 Kg

DATOS TÉCNICOS

- Tanque: 3 L t.
- Caldera a circulacion termosifonica: 1,3 Lt.
- Bomba a vibraciones
- Peso: 18 Kg

WATT: 1350/1450/1700W
VOLT: 110/220/240V 50/60Hz



Proudly made
by **italian**
know-how

